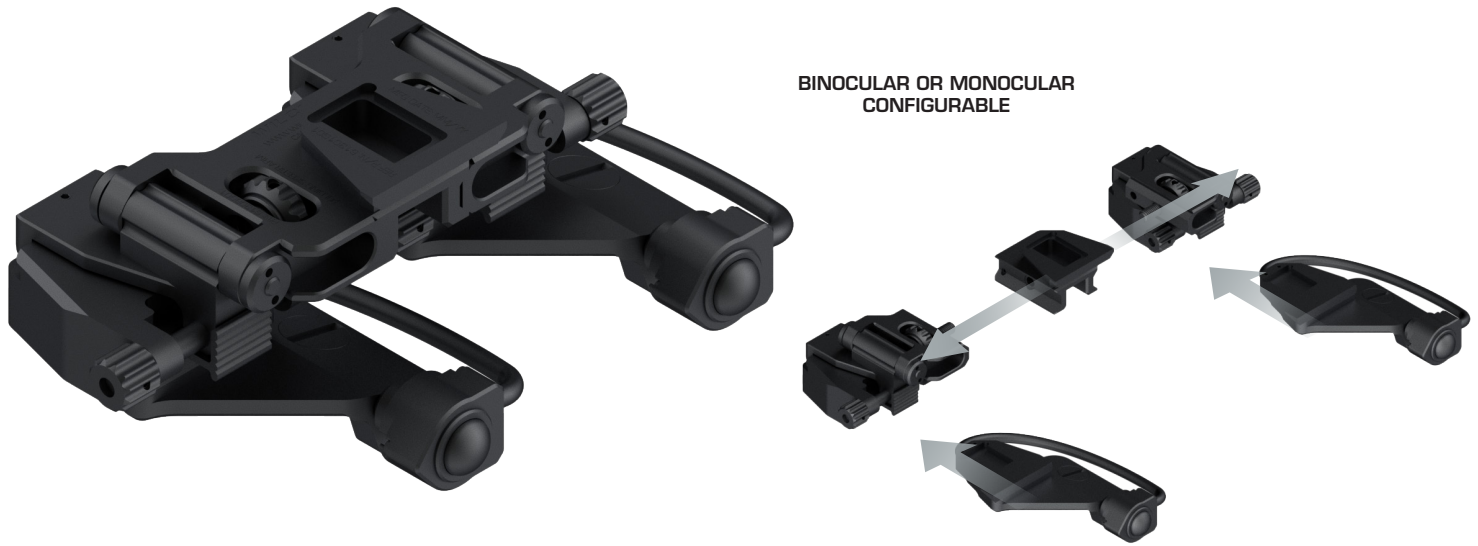


PVS-14 DOVETAIL RIGHT-LEFT ARM KIT

BINOCULAR BRIDGE SYSTEM



PRODUCT OVERVIEW

The PVS-14 Dovetail Right-Left Arm Kit binocular bridge provides versatility allowing the end user to wear a PVS-14 as a monocular or add a second PVS-14 or a thermal for binocular needs. Offered in a dovetail shoe interface, the PVS-14 binocular bridge fits securely into our G24 mount allowing the binocular configuration to be positioned into operational, high ready, and stowed positions – the same as in a monocular configuration.

NVG COMPATIBILITY

- AN/PVS-14
- SKEETIRx
- IR PATROL®

**Other NVG/thermal devices are compatible but require additional accessories. Please contact [customer service](#) for more information.*

SPECIFICATIONS

Dimensions: 11.43 cm L x 3.30 cm W x 5.33 cm H
(4.5" L x 1.3" W x 2.1" H)
Weight: 208.94 g (7.37 oz)

FEATURES AND BENEFITS

- Binocular or monocular configurable
- Available in dovetail interface
- Allows NVGs to be folded completely flat when stowed
- Several points of adjustment ensure proper eye relief
- Modular interface allows for quick removal

Available Colors: ■-B

PRODUCT DESCRIPTION	PART NUMBER
PVS-14 DOVETAIL RIGHT-LEFT ARM KIT	61300G16
PVS-14 HELMET/WEAPON SHOE	61313G01
DOVETAIL BASE	61301G01

Approved for Public Release

